

100NG | 100LP Solar Hybrid Gas Water Heaters

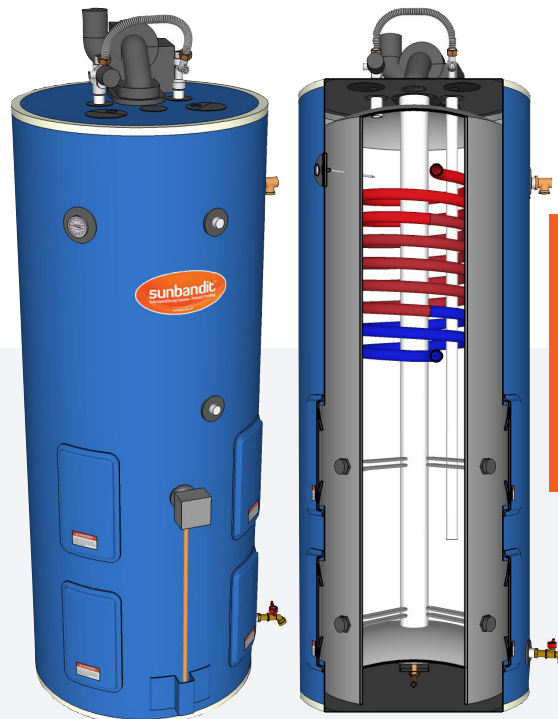
Provides maximum water-heating efficiency in one appliance by combining advanced Sun Bandit PV micro-grid technology with natural gas or propane.

Features

- 100 Gallon Capacity with Dual Magnesium Anode Rods
- (4) Sun Bandit PV Micro-grid Elements with additional 76,000 BTU Gas Burner
- Glass-fused-to-steel Tank Interior with 2" Non-CFC Foam Insulation
- Complete with Mixing Valve, T&P, Brass Drain, and Temperature Gauge
- Vents horizontally or vertically with 3" or 4" PVC, ABS or CPVC
- Zero clearance installation with room or outside combustion air
- Optional internal heat exchange coil provides a variety of heating options
- 6 year tank warranty

30% Federal Tax Credits and multiple State and Utility credits may apply*

* Consult with your tax advisor for availability and conformance depending upon specific usage



Optional internal heat exchange coil provides a variety of heating options

Patent(s) Pending

Benefits

- Up to 4,960 watts of Sun Bandit micro-grid power per tank, providing unmatched economic benefits by maximizing the FREE energy of the sun while seamlessly integrating the fossil fuel when necessary.
- Adaptable to all types of compatible power sources including photovoltaic, wind turbines, generator, batteries, grid or other power supply sources.
- Can be used in water heating or space heating applications as a stand alone unit or as a pre-heat.
- "All in one" convenience provides economy and space savings.
- **NO NET METER REQUIRED** — Sun Bandit advanced micro-grid technology eliminates costly and time consuming net meter applications, permits and fees.

Start using the FREE Energy of the Sun Today!

sunbandit.us

Sun Bandit[®] is a registered trademark of Next Generation Energy[®] ©2014 Next Generation Energy[®] All rights reserved.

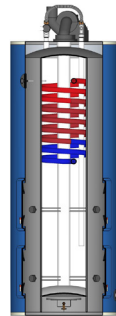
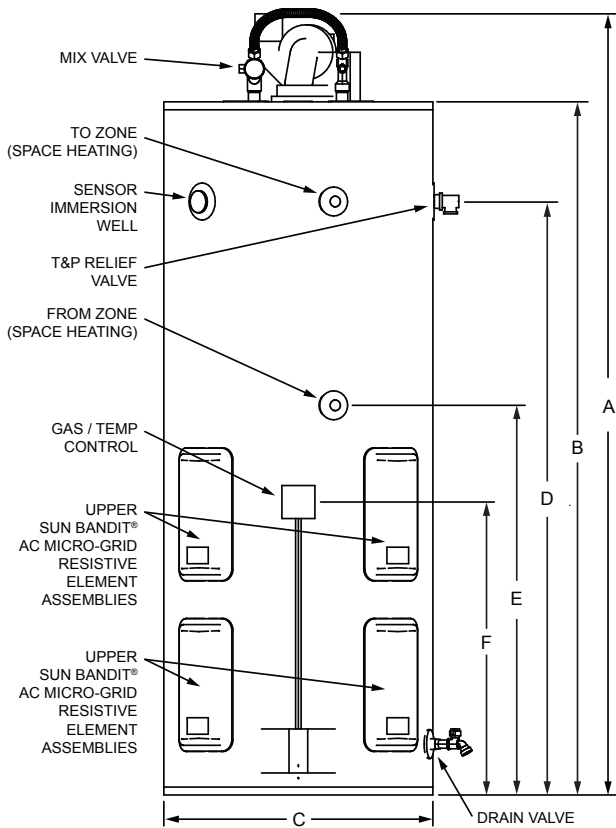


v013114

100NG | 100LP Solar Hybrid Gas Water Heaters

Technical Specifications

Patent(s) Pending



Optional internal heat exchange coil

PDV-C Coil Performance for Models 100NG-C/100LP-C

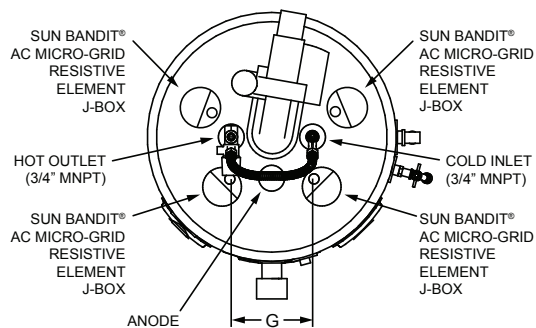
Supply Temperature	140°F	120°F	100°F
Return Temperature	120°F	100°F	80°F
Flow Rate (GPM)	3.7	5.0	5.0
Space Heating Capacity (BTU/HR)	31,500	43,000	43,000

*Note: Values were obtained with storage tank setpoint of 180°F

Minimum and Maximum Vent and Air Intake Pipe Lengths (Two-Pipe Terminations)

Pipe Ø (In)	Minimum Equivalent Pipe Length (per pipe run)		Maximum Equivalent Pipe Length (per pipe run)*	
	Air Intake FT (m)	Vent FT (m)	Air Intake FT (m)	Vent FT (m)
3	5 (1.52)	12 (3.66)	55 (16.76)	55 (16.76)
4	5 (1.52)	12 (3.66)	85 (25.91)	85 (25.91)

*Note: For concentric terminations, subtract 10 feet from maximum equivalent pipe length. Equivalent straight pipe length of 90° elbow equals 5 feet.



Models	Storage GAL (L)	Rated Input BTU/HR (kW)	Recovery @100°F Rise GAL/HR (L/HR)	1st Hour DeL. @ 100°F Rise GAL (L)	Dimensions Inches (cm)							Inlet Size (NPT)	Outlet Size (NPT)	Gas Conn. Size (NPT)	Shipping Weight LBS (kg)
					A	B	C	D	E	F	G				
100NG/100LP 100NG-C/100LP-C	100 (378.54)	76,000 (22.27)	74 (280.12)	153 (579.17)	76.88 (195.28)	67.25 (170.82)	28 (71.12)	60 (152.40)	32.94 (83.67)	16 (40.64)	11 (27.94)	1.0	1.0	0.5	572 (259.45)

Warning: Installation should be in accordance with all national and/or local codes. In the absence of local codes, refer to NFPA 54 or ANSI Z21.10.1.

Caution: The recommended maximum hot water temperature setting for normal residential use is 120°F. Manufacturer recommends a tempering valve or anti-scald valve be installed and used according to the manufacturer's directions to prevent scalding. Sun Bandit® Hybrid Water Heaters include a mixing valve that will minimize potential scalding when installed properly.

Electrical Rating, Sun Bandit® Upper and Lower AC Micro-Grid Resistive Elements: 3.0 kW, 240V

Technical Specifications are subject to change without notice.